

SSA 218 TWO TIER 5mm 3 LEADED TRI-COLOUR CIRCUIT BOARD INDICATOR

The SSA 217 Circuit Board Indicators offer a shrouded LED package for use with overlays.

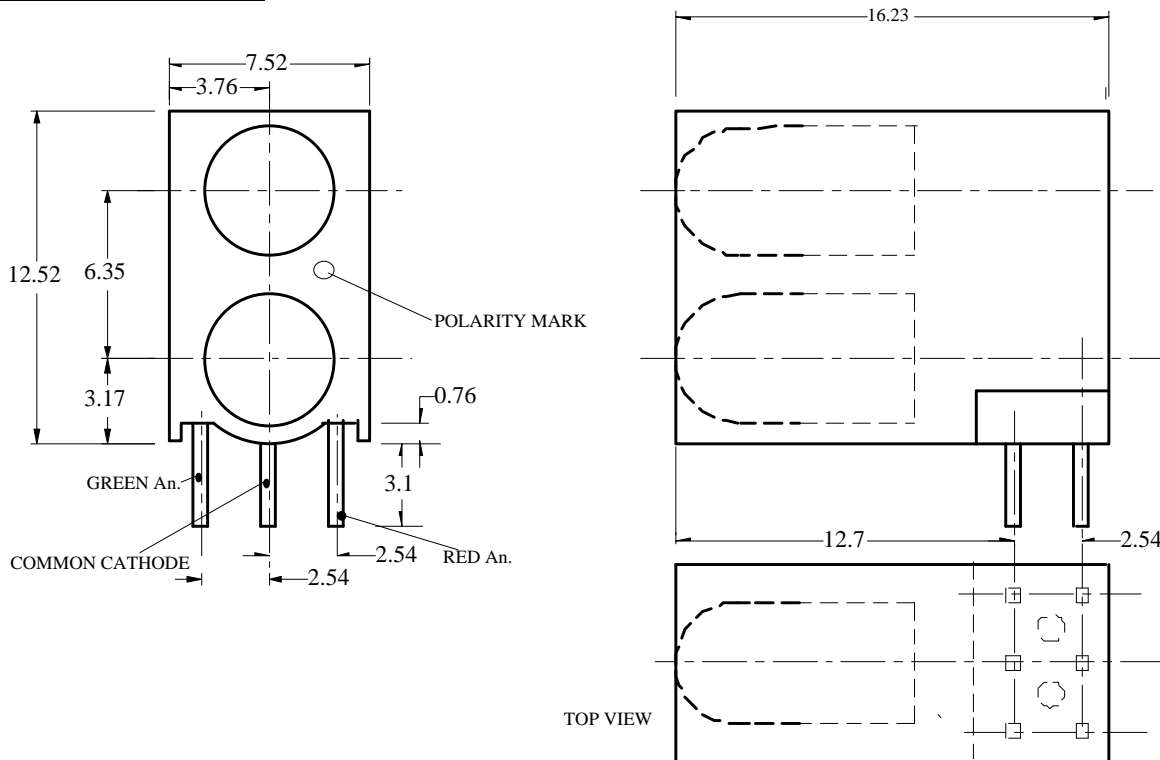
BOT's unique baseplate technique construction guarantees high tolerance positioning on the PCB.

The 3 leaded 5mm package allows direct drive to each of the Red & Green chips to produce Red, Green or a mix of both.

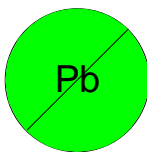
- Rigid lead position using baseplate.
- Tricolour.



MECHANICAL DATA



This component is RoHS compliant



BEDFORD OPTO TECHNOLOGY LTD
1, BIGGAR BUSINESS PARK, BIGGAR, LANARKSHIRE, ML12 6FX
Tel: +44 (0) 1899 221221 Fax: +44 (0) 1899 221009
Website: bot.co.uk E-mail: bill@bot.co.uk

ISS B 1.3.01

Absolute Maximum Ratings (TA = 25°C)

PARAMETER	Bi-Colour
Continuous Forward Current	30mA
Peak Forward Current	150mA
Power Dissipation	100mW
Reverse Voltage	5V
Reverse Current [Vr=5V]	100µA
Operating Temperature range	-40°C to +80°C
Storage Temperature	-40°C to +100°C
Lead Soldering Temperature (1/16" from body)	260°C for 5secs

Electro-Optical Data (TA = 25°C) 20mA

	Peak Wavelength nm typ	Luminous Intensity mcd typ	Vf Volts max	Viewing Angle deg typ
RED	635	35.0	2.6	40
GREEN	568	45.0	2.6	40

This
component
is RoHS
compliant

